

FRG25BA60

UL; E76102

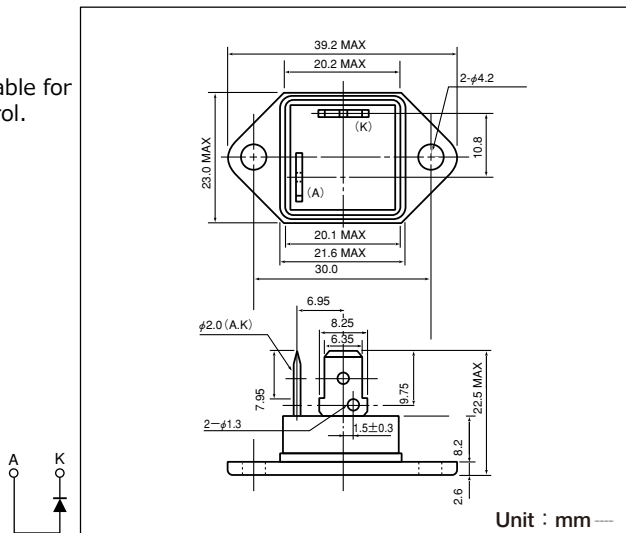
《Features》

FRG25BA60 is a high speed (fast recovery) isolated diode module designed for high power switching application. FRG25BA60 is suitable for high frequency application requiring low loss and high speed control.

- High Speed $t_{rr} \leq 100\text{ns}$
- $I_F (AV)$ 25A
- Isolated Mounting base
- High Surge Capability

《Applications》

- Inverter Welding Power Supply / Power Supply for Telecommunication / Various Switching Power Supply



Unit : mm

■ Maximum Ratings (Tj=25°C unless otherwise specified)

Item	Symbol	Unit	FRG25BA60
Repetitive Peak Reverse Voltage	V_{RRM}	V	600
Continuous Reverse Voltage	$V_{R(DC)}$	V	480

Item	Symbol	Unit	Ratings	Conditions
Forward Current	I_F	A	25	D.C., $T_C=94^\circ\text{C}$
Surge Forward Current	I_{FSM}	A	450	1/2cycle, 60Hz, peak value, non-repetitive
I^2t (for fusing)	I^2t	A^2s	840	Value for one cycle of surge current
Operating Junction Temperature	T_j	$^\circ\text{C}$	-40 to +150	
Storage Temperature	T_{stg}	$^\circ\text{C}$	-40 to +125	
Isolation Breakdown Voltage(R.M.S.)	V_{ISO}	V	2500	A.C. 1minute
Mounting torque	Mounting M4	$\text{N}\cdot\text{m}$ ($\text{kgf}\cdot\text{cm}$)	1.5(15)	Recommended Value 1.0 to 1.4 (10 to 14)
Mass		g	23	Typical value

■ Electrical Characteristics (Tj=25°C unless otherwise specified)

Item	Symbol	Unit	Ratings			Conditions
			Min.	Typ.	Max.	
Repetitive Peak Reverse Current	I_{RRM}	mA		25	30	$V_{RRM}=600\text{V}$, $T_j=150^\circ\text{C}$
Forward Voltage Drop	V_{FM}	V		1.20	1.30	$I_F=25\text{A}$, Inst. measurement
Reverse Recovery time	t_{rr}	ns		80	100	$I_F=25\text{A}$, $-di/dt=100\text{A}/\mu\text{s}$
Thermal Resistance(Junction to case)	R_{th}	$^\circ\text{C}/\text{W}$			1.6	1 module

